



**TESIR  
MAKINE**

"Innovative solutions  
for glass processing  
industry"

**SV-1000**

**SV-1000 VERTICAL DEBURRING & GRINDING MACHINE**



# SV-1000 VERTICAL DEBURRING & GRINDING MACHINE



## INNOVATIONS

- DOUBLE HEADED SYSTEM
- POWERFUL DESIGN
- CORROSION RESISTANT CONSTRUCTION

---

Double-headed SV-1000 achieves fast and high quality deburring and grinding with its compact, powerful design and user friendly control panel. Due to its strong and corrosion resistant construction, the maintenance and spare parts' costs are extremely low. This model also can be presented as a line with our washing machine.

# SV-1000 VERTICAL DEBURRING & GRINDING MACHINE



## LOW LABOR COST & ENERGY CONSUMPTION

Due to servo driven the energy consumption is extremely low. And also all process are carried out automatically so that only one person can get a high production rate.

Thanks to its user-friendly software and touch-screen OP[HMI], glass processing thickness can be changed easily.

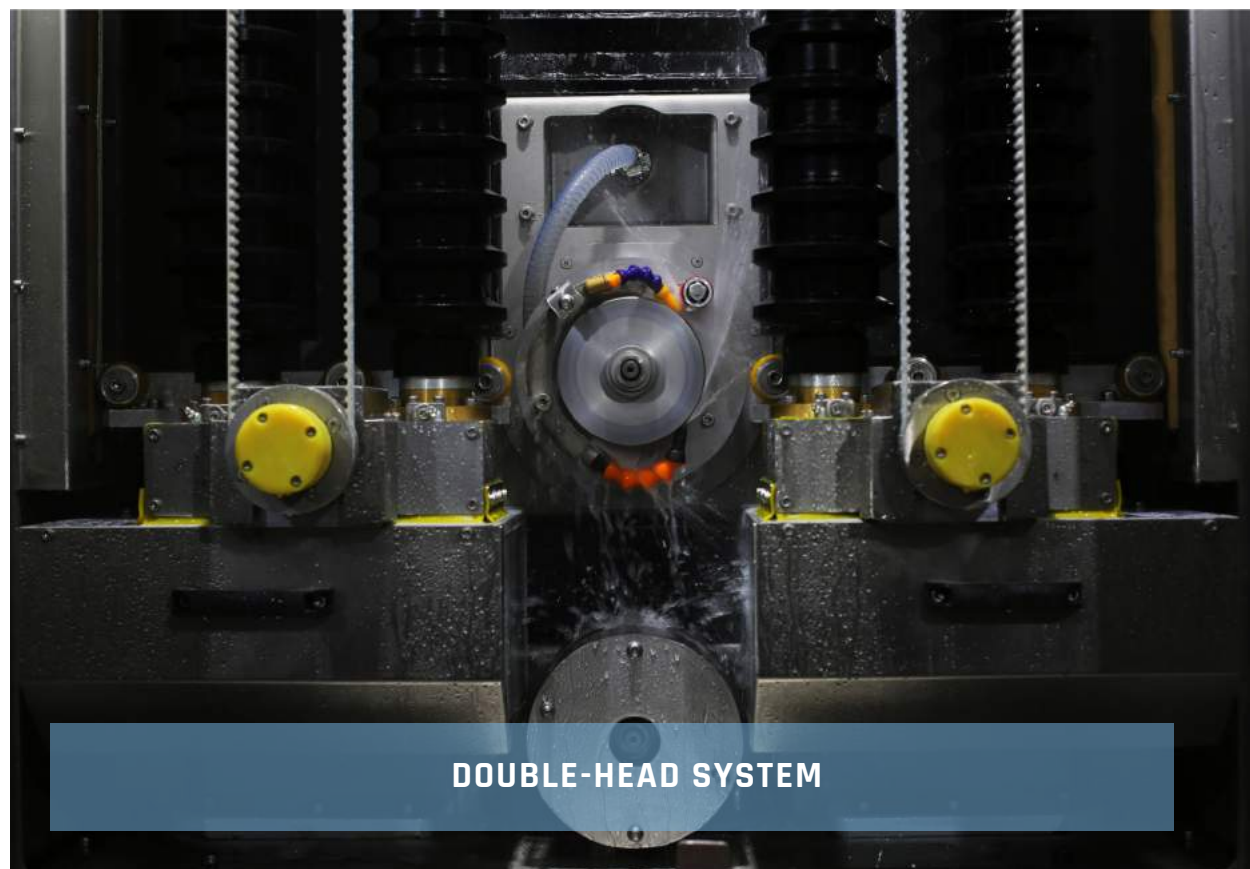


USER FRIENDLY SCHNEIDER 7" CONTROL PANEL

## SERVO-DRIVEN TECHNOLOGY

Due to servo-driven technology all positioning operations are precisely performed. In this way high quality production is realized.

The top, bottom and sides are machined at the same time thanks to the double head system. Due to that, processing time is very fast.

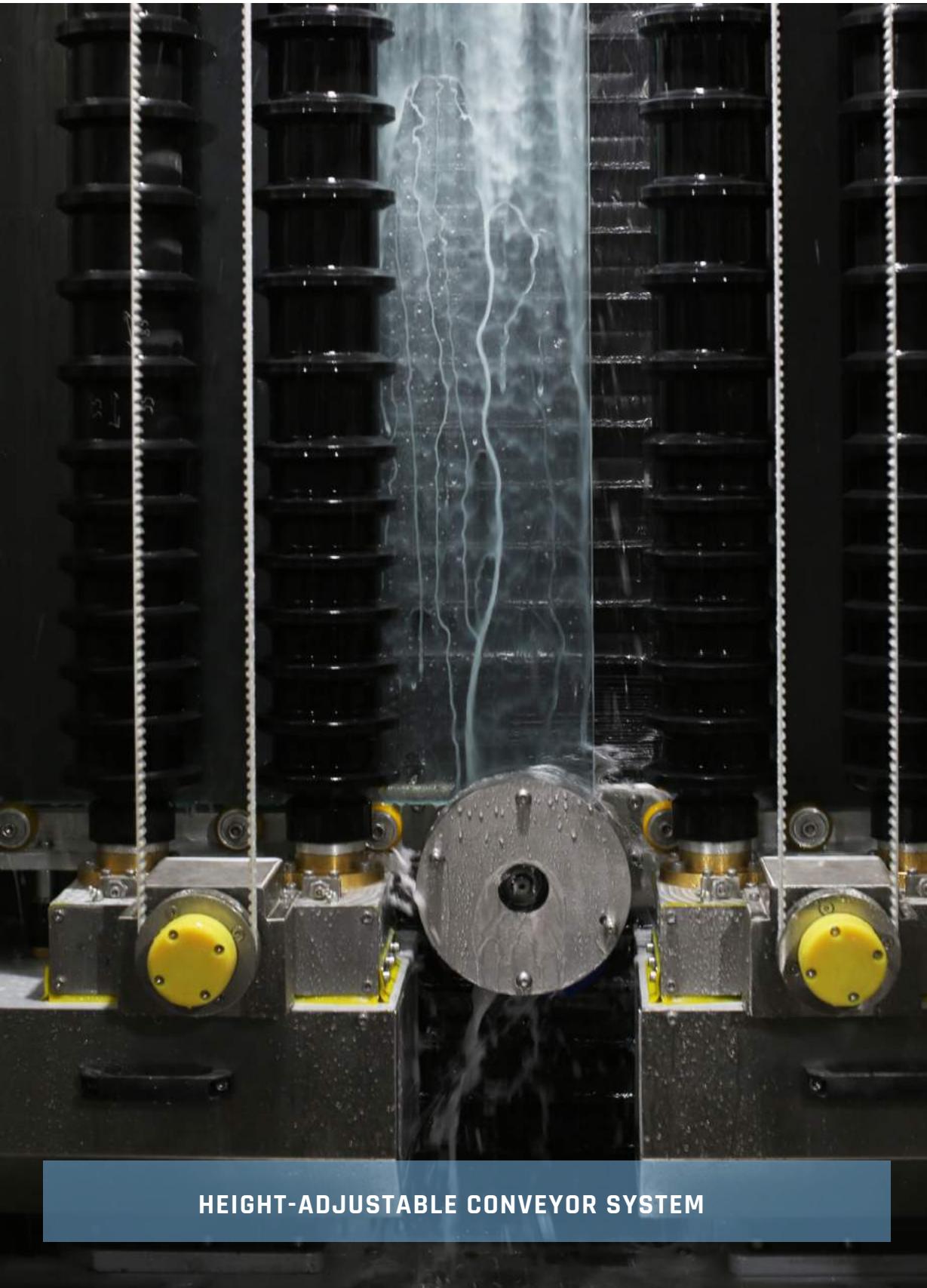


DOUBLE-HEAD SYSTEM

## CORROSION-RESISTANT

All surfaces in contact with water are made from corrosion resistant material. So that, the cost of maintenance and spare parts are extremely low.

# SV-1000 VERTICAL DEBURRING & GRINDING MACHINE



HEIGHT-ADJUSTABLE CONVEYOR SYSTEM

## AUTOMATIC LUBRICATION

Critical mechanical parts in the machine are automatically lubricated. Since the inlet and outlet conveyors are height-adjustable, the accuracy of grinding is extremely high.

BY USING THE V-TYPE  
DIAMOND TOOL, THE  
OPERATOR CAN PRODUCE  
ARRISED GLASSES IN  
DIFFERENT THICKNESSES,  
WITHOUT CHANGING ANY  
TOOL.



## LAMINATED GLASS PROCESSING AND LOW-E GLASS PROCESSING

Laminated glasses can be processed easily and effectively.

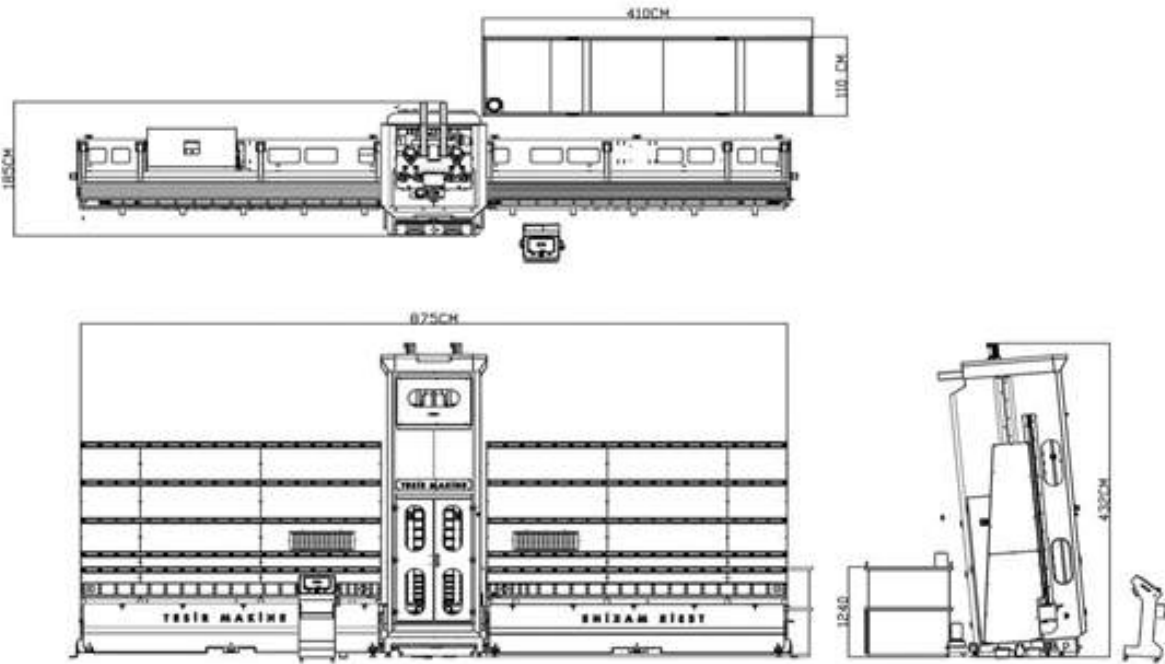
Due to its special design, it works without leaving any scratches on the standard coated glasses

# SV-1000 VERTICAL DEBURRING & GRINDING MACHINE



## TECHNICAL DATA AND PERFORMANCE AND WORKING CONDITIONS SEAMING MACHINE

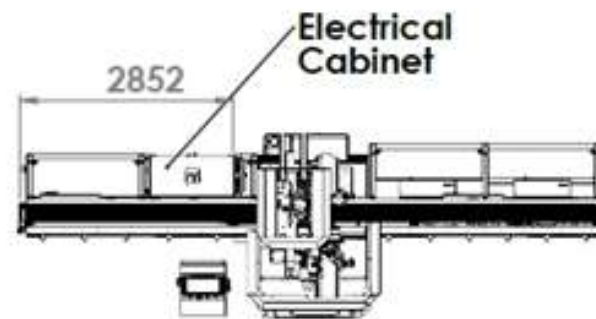
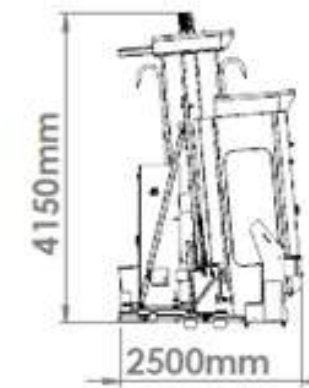
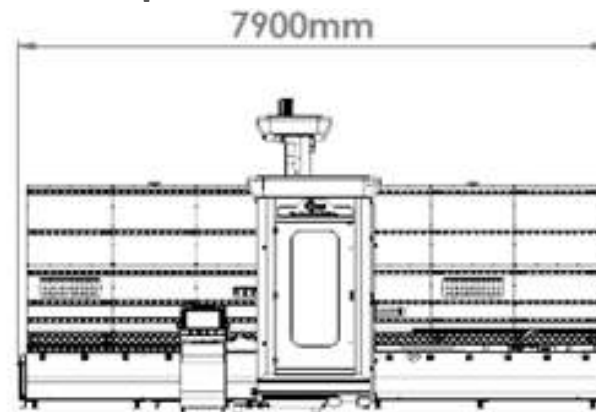
Glass sheet width max.	2500mm
Glass sheet width at the reference line min.	250mm
Glass sheet length max (optional in brackets)	3500(6000)mm
Glass sheet length at the reference line min.	650mm
Glass sheet thickness	3-12 mm
Glass Seaming/Deburring Speed	1,2-18m
Weight	4.500 KGs
Installation altitude of the machine	<1000m (normal)
Operating voltage, network parameters	400V-50/60Hz



## ENERGY CONNECTIONS

Compressed air  
Line voltage  
Control voltage  
Total connected power

7 bar  
400 Volt, 50/60 Hz  
24VDC  
approx. 22kW-30A



FRONT SIDE

TESİR MAKİNE SAN. VE TİC. LTD. ŞTİ.

AKÇABURGAZ MAH.3080.SOKAK NO:3  
KIRAÇ/ESENYURT/İSTANBUL-TR  
Tel : +90 212 485 59  
Fax : +90 212 485 54 98  
Mob: +90 542 500 3463  
Web : www.tesirmakine.com

TESİR MAKİNE SAN. VE TİC. LTD. STİ.

AKÇABURGAZ MAH.3080.SOKAK NO:3  
KIRAÇ/ESENYURT/İSTANBUL-TR

Tel : +90 212 485 59

Fax : +90 212 485 54 98

Mob: +90 542 500 3463

Web : [www.tesirmakine.com](http://www.tesirmakine.com)

